

Brushless Motors

BLE2 Series

With Electromagnetic Brake
120 W (1/6 HP), 200 W (1/4 HP)

The compact, high-output and high-efficiency **BLE2** Series of brushless motors now offer a power-off activated electromagnetic brake. Perform stable speed control even during vertical operation (gravitational operation).



Parallel Shaft Gearhead **GFV** Gear with Electromagnetic Brake Round Shaft Type

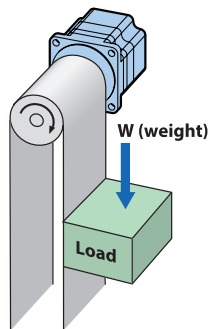
Speed Control and Position Holding (vertical or horizontal) when Stopped

The electromagnetic brake is automatically controlled to turn ON/OFF simultaneously with the operation of the motor. When there is a blackout or when the power is turned OFF, the motor stops instantaneously to hold the load in place. Stable speed control and position holding when stopped (vertical or horizontal) are possible.

● Vertical Operation (Gravitational Operation)

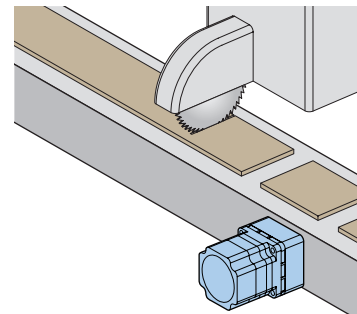
Perform stable speed control even during vertical operation. Even when there is a blackout or when the power is turned OFF, the load is held in place.

Since regenerative energy is produced during vertical operation, a regeneration unit (sold separately) is required.



● Position Can be Held when the Power is OFF

The position can be held during both vertical operation and horizontal operation.



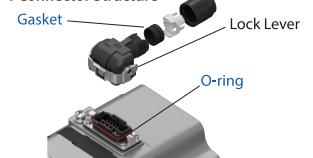
Degree of Protection: IP66

The motor structure and connector have an IP66 degree of protection for improved watertight and dust-resistant performance.

● Stainless Steel Shaft



● Connector Structure



NEW



Electromagnetic Brake Motor 120 W, 200 W
Parallel Shaft Gearhead **GFV** Gear
Round Shaft Type

● Product Line of the BLE2 Series



Parallel Shaft Gearhead **GFV** Gear, Round Shaft Type
30 W, 60 W, 120 W
200 W, 400 W



Right-Angle Hollow Hypoid **JH** Gear
60 W, 120 W, 200 W



Gearhead with Foot **JB** Gear
200 W



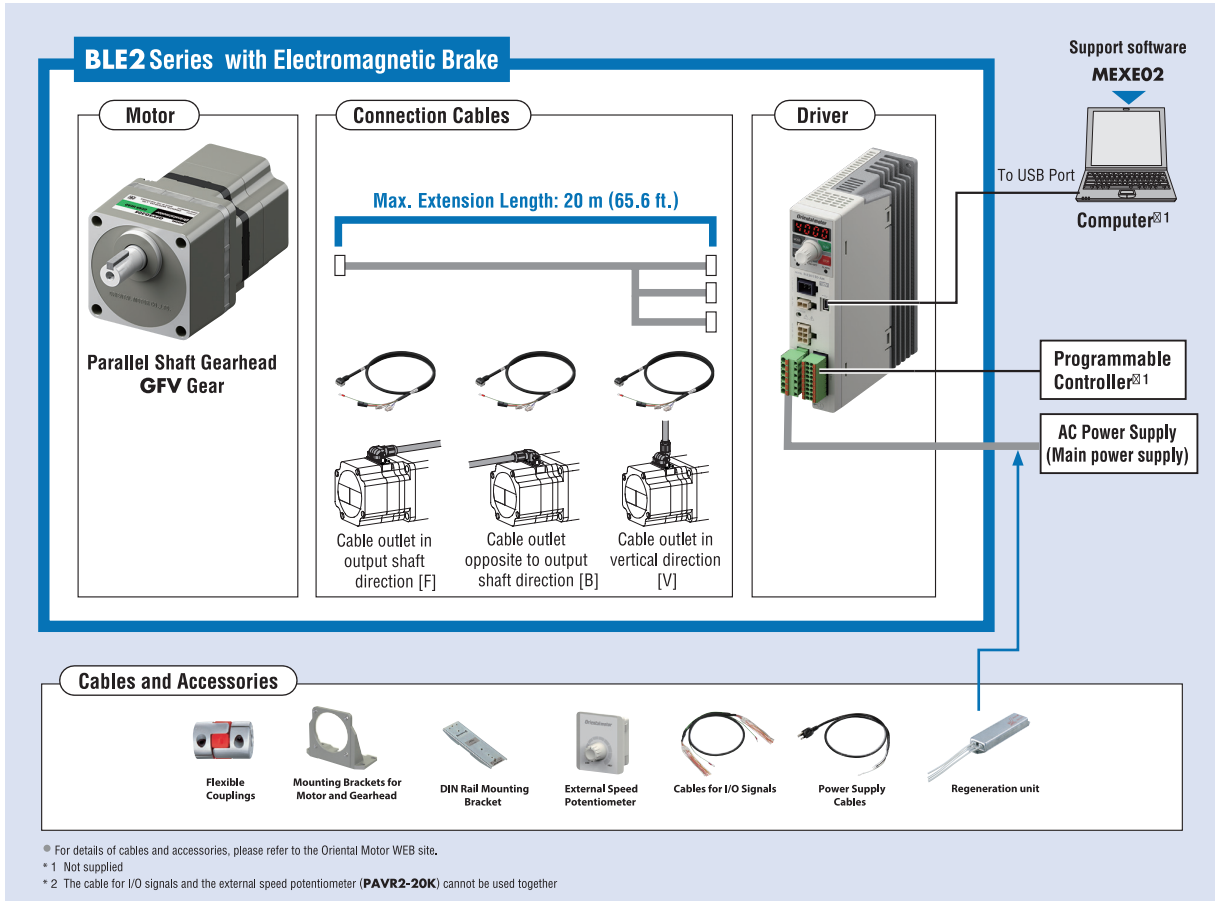
Parallel Shaft Gearhead **JV** Gear
200 W

Visit www.orientalmotor.com

For further information (specifications, dimensions, speed-torque characteristics)

System Configuration

Motors, drivers, and connection cables must be ordered separately.



● Example of System Configuration Pricing

BLE2 Series with Electromagnetic Brake			Accessories		
Motor	Driver	Connection Cable	Mounting Bracket	Flexible Couplings	DIN Rail Mounting Bracket
Parallel Shaft Gearhead GFV Gear		[3 m (9.8 ft.)]			
BLM5120HPM-10S	BLE2D120-AM	CC030KHBLMF	SOL5M8F	MCL5515F12	MADP02
\$611.00	\$283.00	\$74.00	\$29.00	\$97.00	\$29.00

The system configuration shown above is an example. Other combinations are also available.

BLE2 Series with Electromagnetic Brake

Output Power - Watts (HP)	120W (1/6 HP) ~ 200W (1/4 HP)	
Frame Size - mm (in.)	90mm (3.54 in.) ~ 110mm (4.33 in.)	
Speed Range (r/min)	80 ~ 4000	
Power Supply	Single-Phase (VAC)	100-120 / 200-240
	Three-Phase (VAC)	200-240
List Price	Gear motor: \$ 611~ Driver: \$ 283~ Cables: \$ 46~	

* UL pending

ORIENTAL MOTOR U.S.A. CORP.

Technical Support Tel: 800-468-3982 7:30A.M. - 7:00P.M. C.S.T (M-F) E-mail: techsupport@orientalmotor.com

- 1,500 products next day shipping
- Free Sizing

- Over 10,000 Products Shipped within 7~9 business days
- Global Support